

WIGGINS Accessories

Nozzle Adapters for the ZZ9A1



**Straight ZN6A
Adapter Tube**

**90° ZN6B
Adapter Tube**



Bulk Fuel Coupling

ZS5 Nozzle (Mates w/ZN2A)

The ZS5 Bulk Transfer Nozzle is designed to mate with the ZN2 receiver. It can be used to drain a fuel tank for servicing, or to transfer fuel from one tank to another. The end fitting is the same 2-inch NPT female fitting as the ZZ9A1.



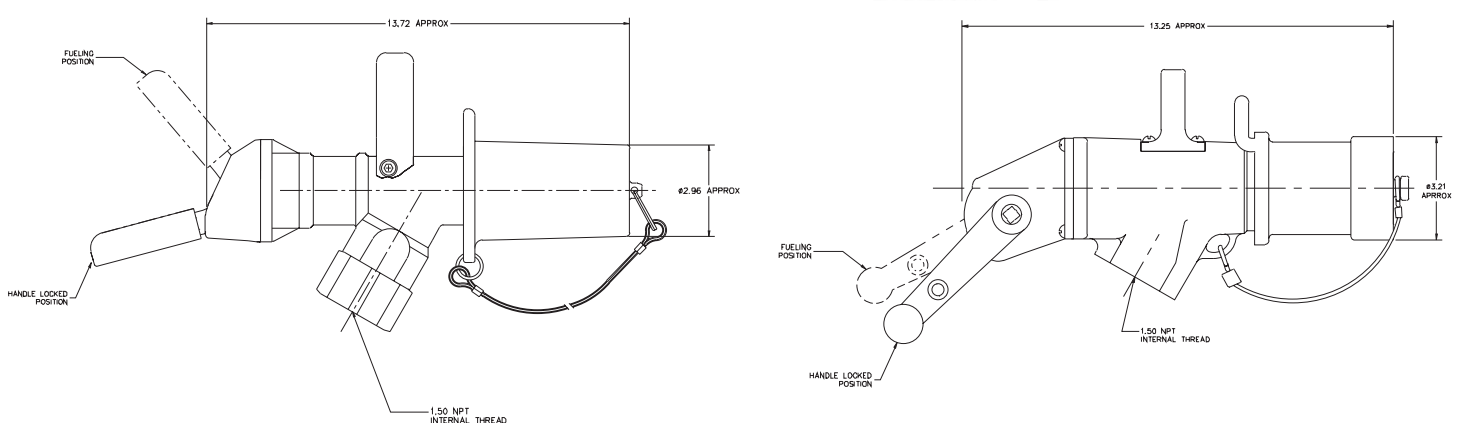
For more information on the fast fuel systems, and authorized Wiggins Service System Distributors, or to see what is new, please log onto our web-site www.adelwiggins.com



Wiggins Service Systems
5000 Triggs Street, Los Angeles, CA 90022
323.269.9181 ■ Fax: 323.269.3759

www.adelwiggins.com

WIGGINS Fuel Nozzles



ZZ9A1 - Data Table

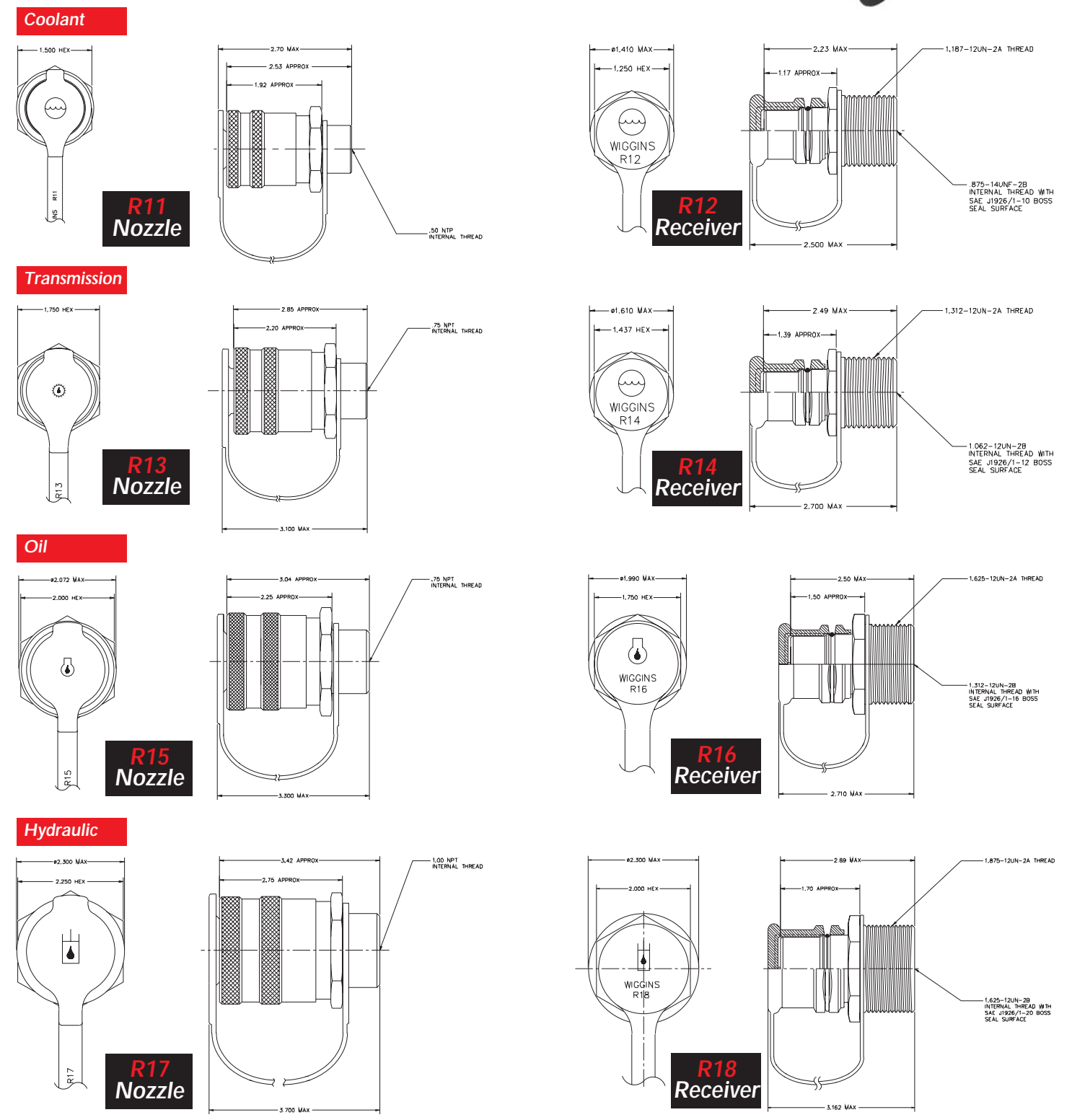
Flow Rate (gpm)	Pressure Drop	Operating Pressure	Weight (lbs)
25	1.0 psi	1.25 psig max.	5.75
60	4.0 psi	1.25 psig max.	5.75
100	9.0 psi	1.25 psig max.	5.75
125	14.0 psi	1.25 psig max.	5.75
150	24.0 psi	1.25 psig max.	5.75

ZZF150 - Data Table

Flow Rate (gpm)	Pressure Drop	Operating Pressure	Weight (lbs)
25	2.0 psi	1.25 psig max.	7.9
60	4.0 psi	1.25 psig max.	7.9
100	9.0 psi	1.25 psig max.	7.9
125	14.0 psi	1.25 psig max.	7.9
150	21.0 psi	1.25 psig max.	7.9

WIGGINS Service Couplings

R Series / Nozzles and receivers supplied separately

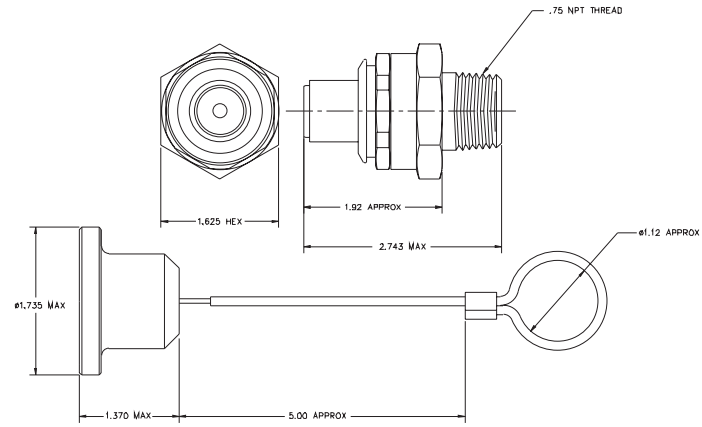


R Series / Lanyard and Cap supplied with receiver.

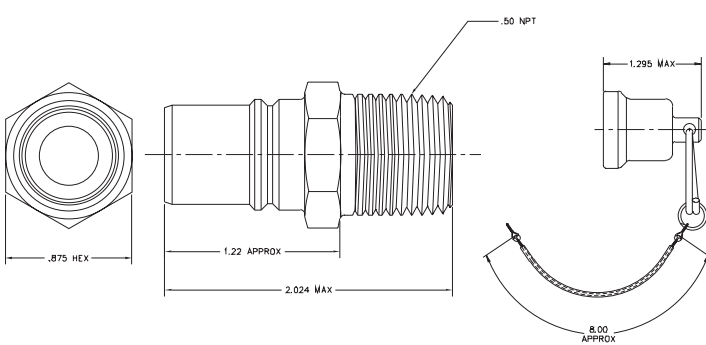
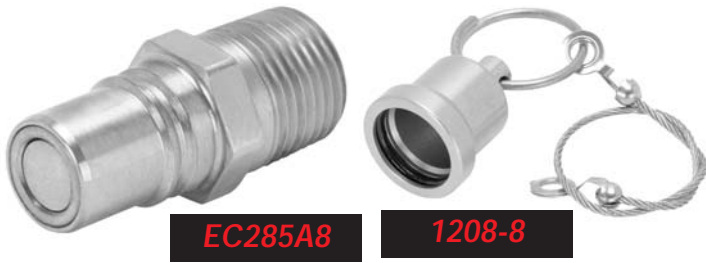
	Nozzle	Cap	Receiver	Cap
Replacement Chart for Lanyards and Caps	R11	R1107	R12	R1205
	R13	R1307	R14	R1405
	R15	R1507	R16	R1605
	R17	R1707	R18	R1805

WIGGINS Service Couplings

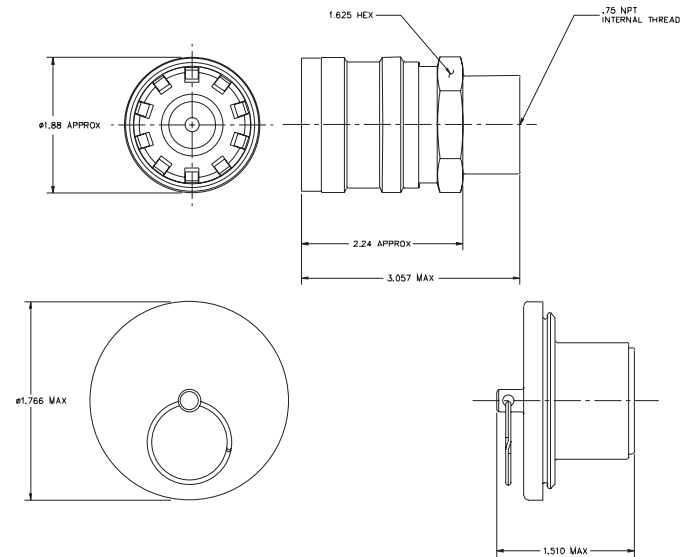
Hydraulic Receiver and Cap



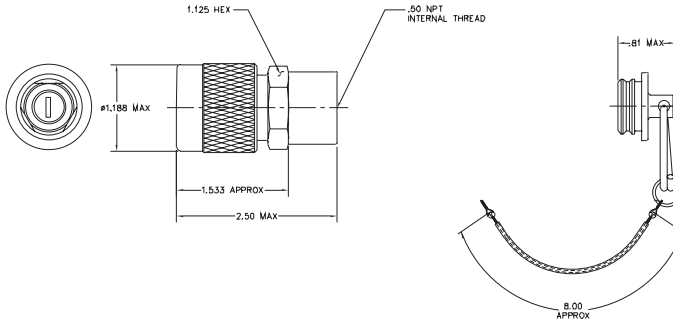
Coolant Receiver and Cap



Hydraulic Nozzle and Plug



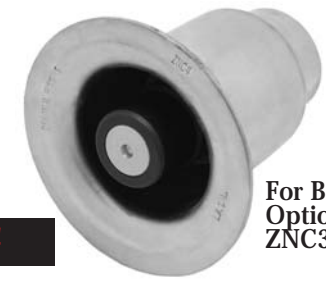
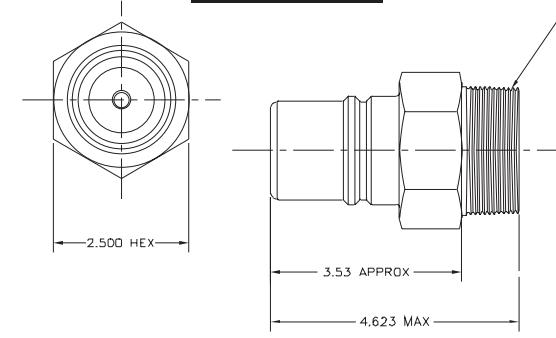
Coolant Nozzle and Plug



Mates with 6005A12 Receiver

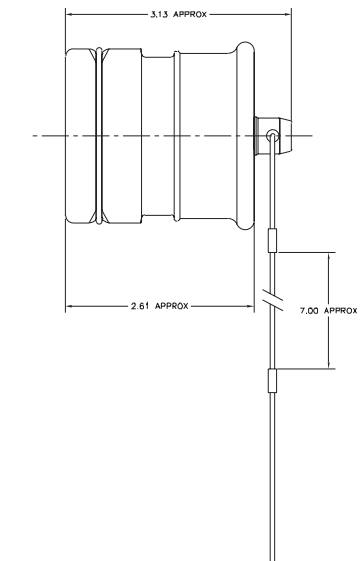
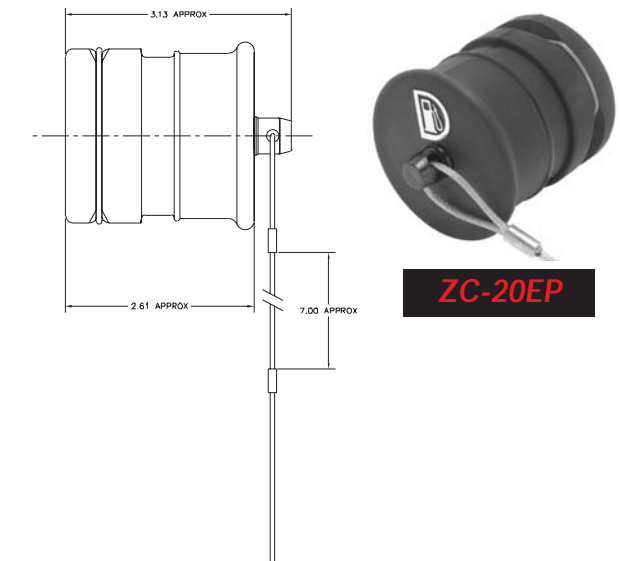
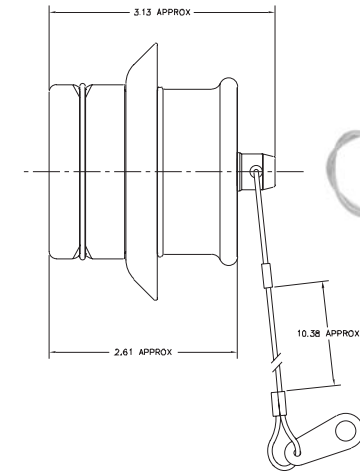
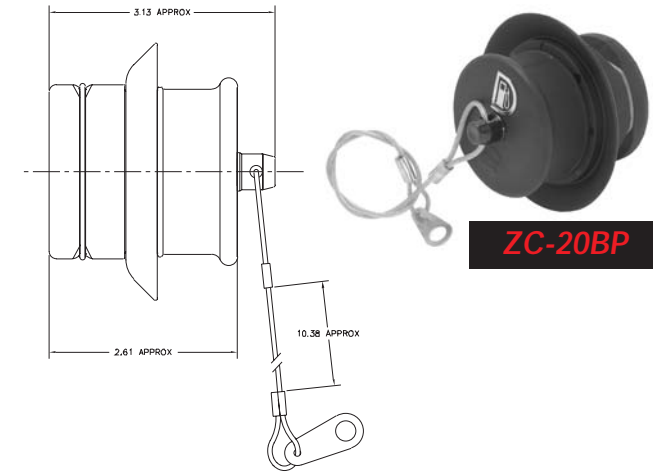
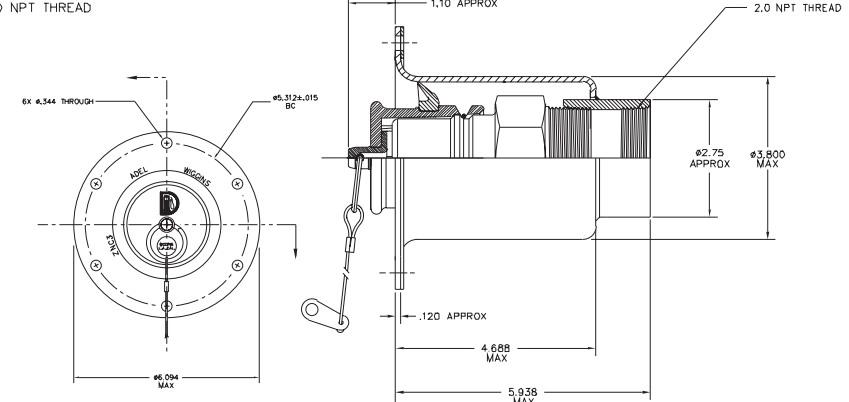
Mates with EC285A8 Receiver

WIGGINS Fuel Receivers



ZNC4

For Bolt-On Option, Order ZNC3



Receiver	Application	Poppet Color
ZN2A	Standard for most applications and mountings	Clear
ZN2B	Light spring compensates for head pressure	Blue
ZN2D	Heavy spring to avoid premature shut-off	Red
ZN2AC	Stainless-Steel version of ZN2A	Clear
ZNC2A	Same as ZN2 with cap	
ZNC3	Bolt on version	
ZNC4	Weld on version	



ZNC2A

WIGGINS Fuel Tank Vents

WIGGINS Service Couplings

ZV10

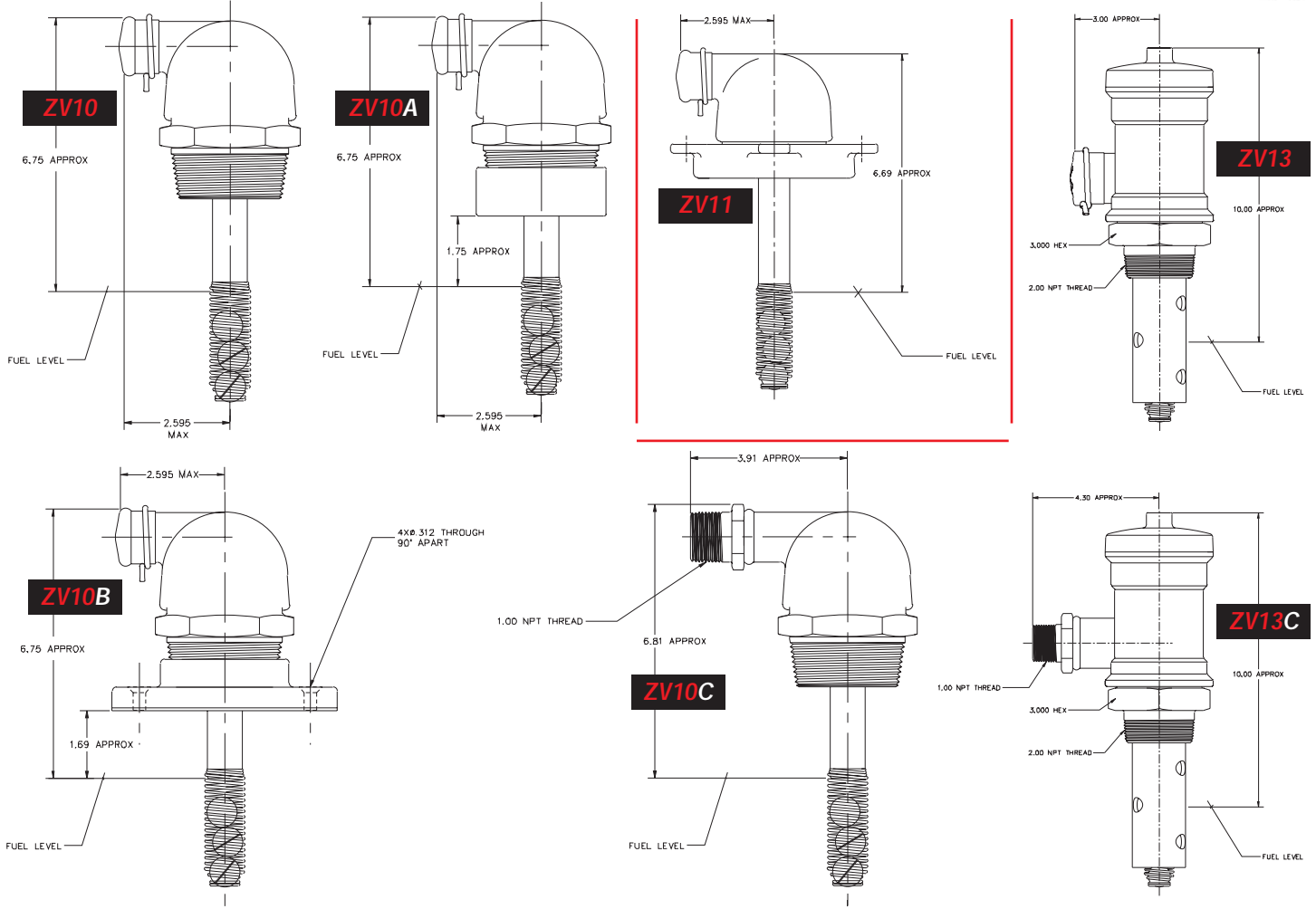


ZV11



Anti-Vandalism

ZV13



Data Table

Vent Model	Mounting Style	Length	Pressure Relief	Rebuild Kit Number
ZV10	Pipe Thread	9.375"	10.2 - 12.9 psi	K30285
ZV10A	Welded Half-Coupling	9.375"	10.2 - 12.9 psi	K30285
ZV10B	Flange/Gasket	9.375"	10.2 - 12.9 psi	K30285
ZV10C	Same as ZV10 w/Threaded Outlet	9.500"	10.2 - 12.9 psi	K30285
ZV10F	Same as ZV10 w/Long Stem	12.50"	10.2 - 12.9 psi	K30285
ZV11	Gas Cap Mount	9.312"	10.2 - 12.9 psi	K30285
ZV11A	Gas Cap Mount w/Long Stem	12.50"	10.2 - 12.9 psi	K30285
ZV13	Vented Pipe Thread	12.00"	10.4 - 11.3 psi	N/A
ZV13C	Same as ZV13 w/Threaded Outlet	12.00"	10.4 - 11.3 psi	N/A
ZV13F	Long Stem	14.70"	10.4 - 11.3 psi	N/A

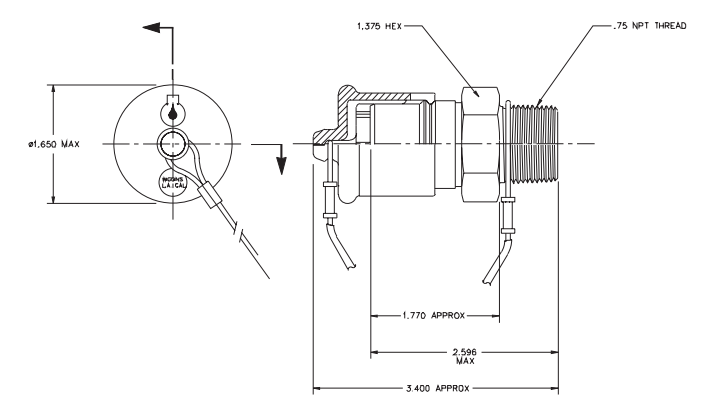
Crankcase Receiver and Cap



OC12E

ON2

To order receiver with cap, specify ONC2A

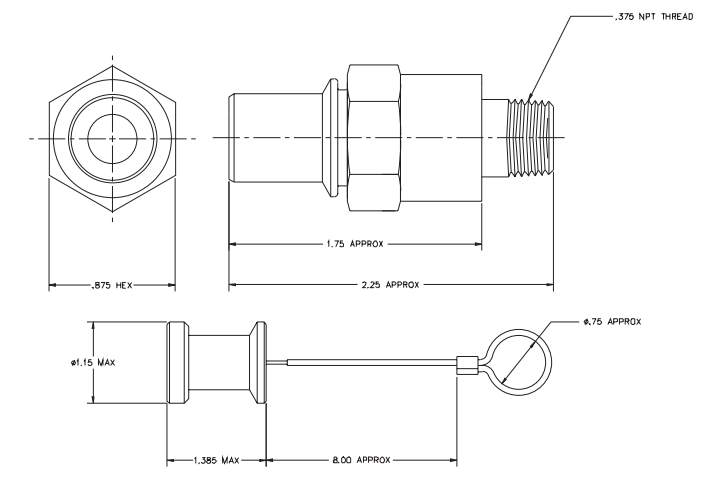


Transmission Receiver and Cap



P1804

P1880



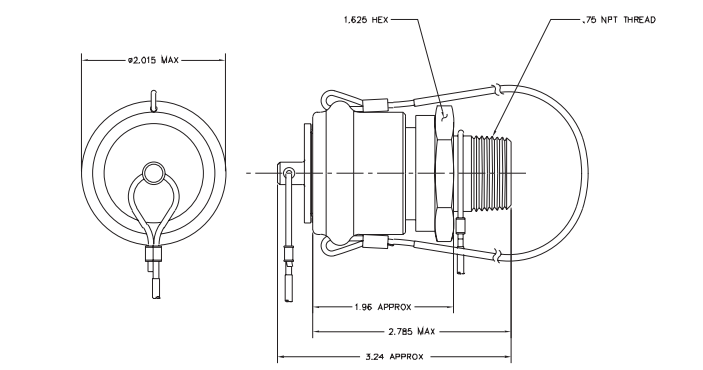
Crankcase Nozzle and Plug



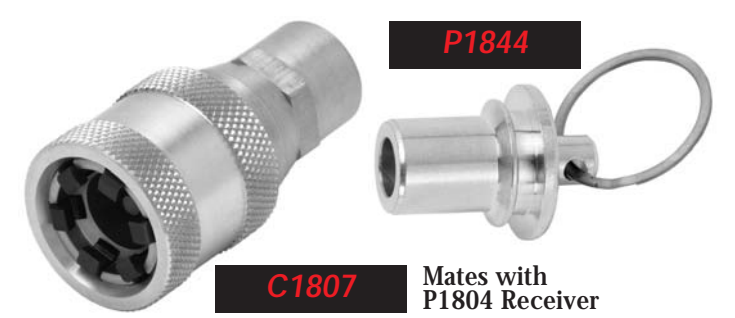
OS2

To order nozzle with plug (OP12), specify OSP2

Mates with ON2 and ONC2A Receivers



Transmission Nozzle and Plug



P1844

C1807

Mates with P1804 Receiver

